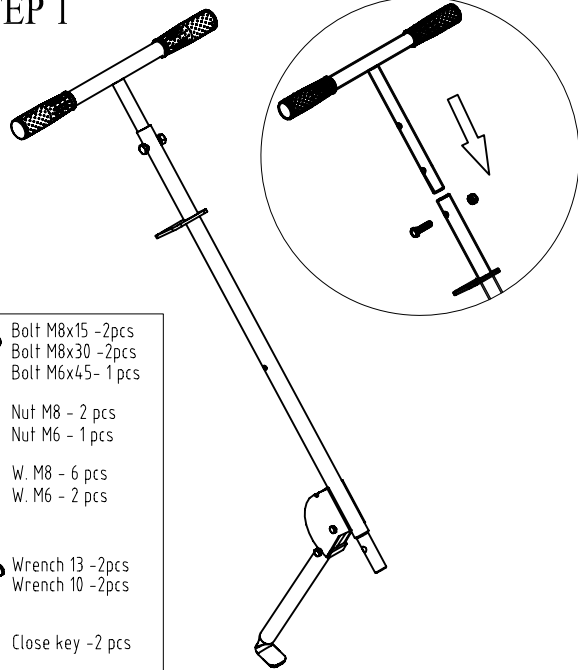


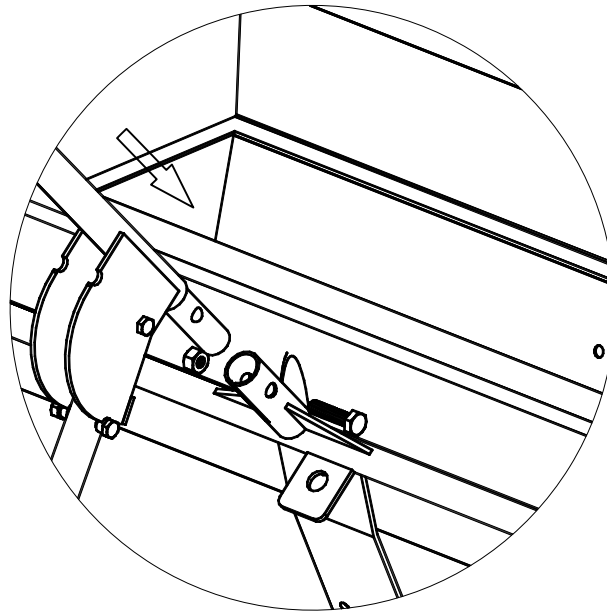
ASSEMBLY WIDE SPREADER

STEP 1

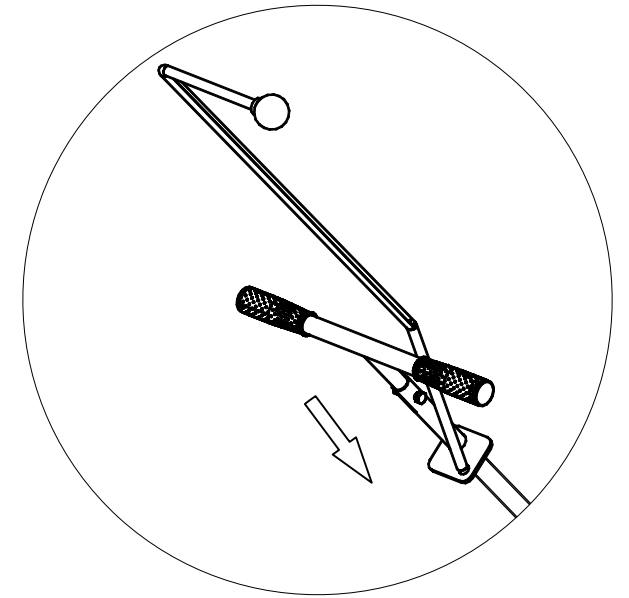


- A. Bolt M8x15 - 2pcs
Bolt M8x30 - 2pcs
Bolt M6x45 - 1 pcs
- B. Nut M8 - 2 pcs
Nut M6 - 1 pcs
- C. W. M8 - 6 pcs
W. M6 - 2 pcs
- D. Wrench 13 - 2pcs
Wrench 10 - 2pcs
- E. Close key - 2 pcs

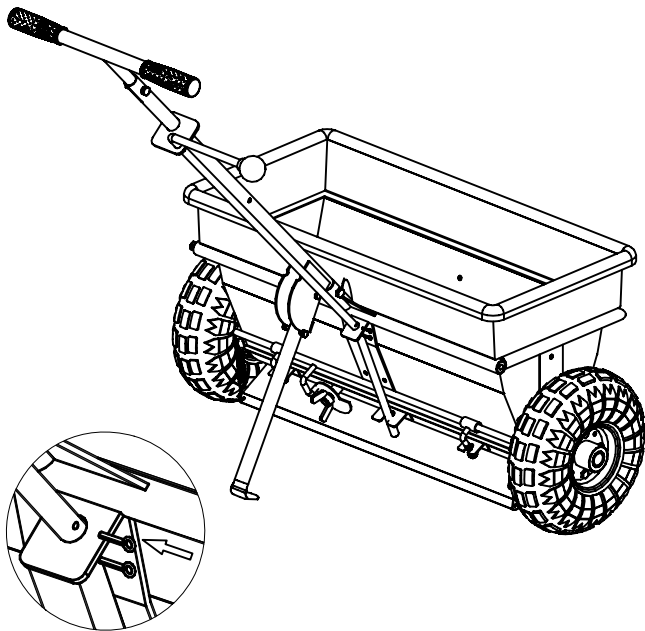
STEP 2



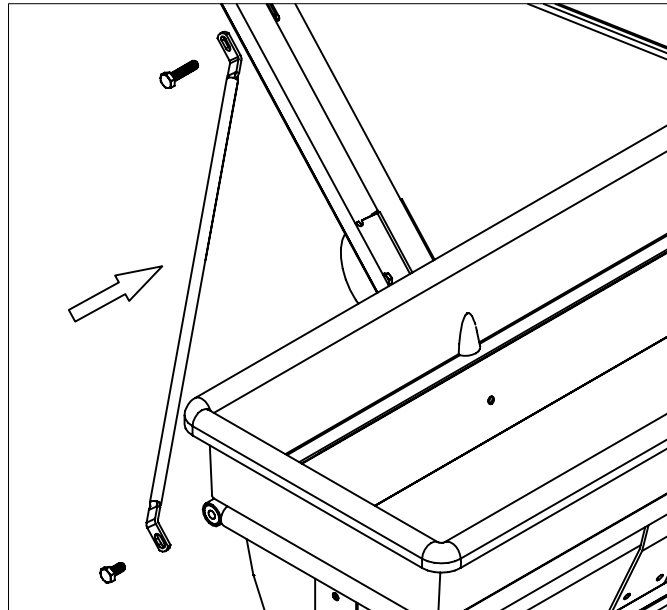
STEP 3



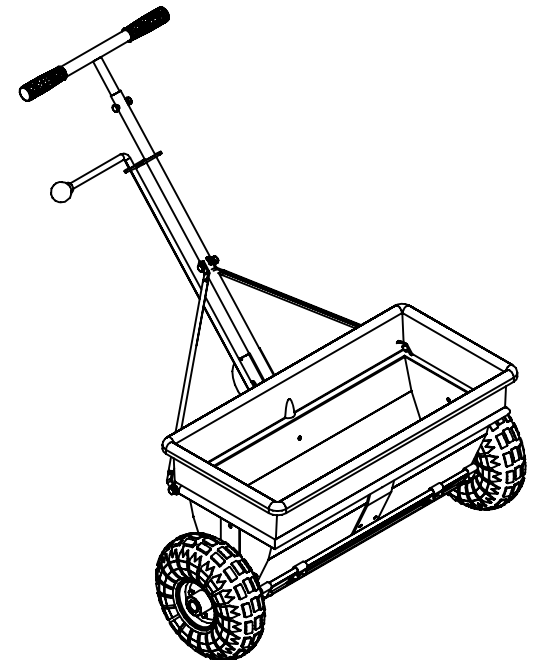
STEP 4

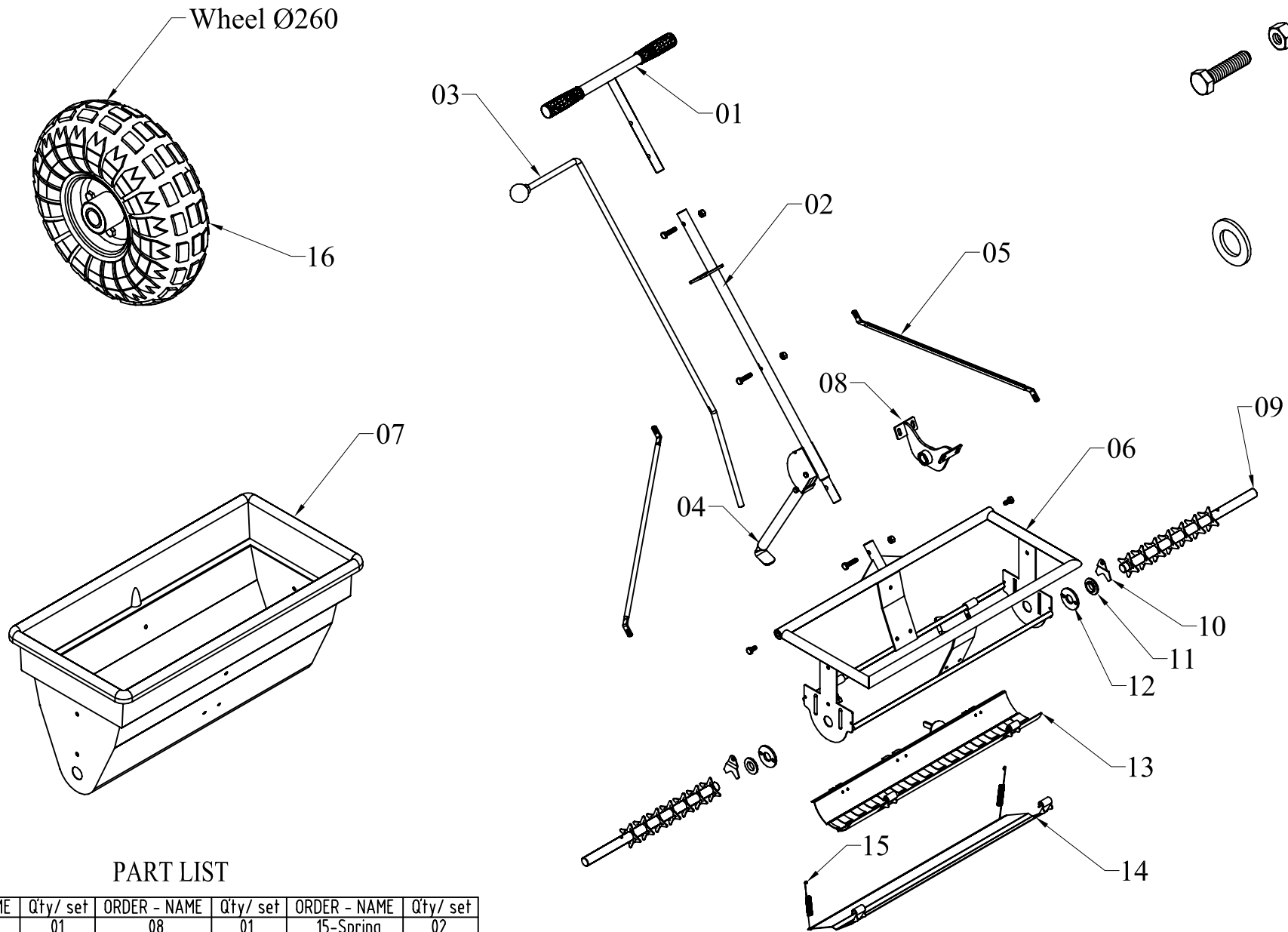


STEP 5



STEP 6





PART LIST

ORDER - NAME	Qty/ set	ORDER - NAME	Qty/ set	ORDER - NAME	Qty/ set
01	01	08	01	15-Spring	02
02	01	09	02	16-Wheel	02
03	01	10	02		
04	01	11	02		
05	02	12	02		
06	01	13	01		
07	01	14	01		